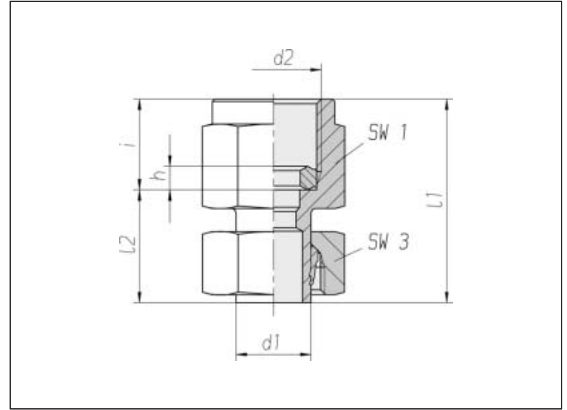


## Gauge couplings

Female thread:  
Whitworth pipe thread

Male version  
pre-assembled



| Series  | Pressure | d2    | SW1 | SW3 | l1      | l2   | i    | h             | kg/100  | Order No.        |
|---------|----------|-------|-----|-----|---------|------|------|---------------|---------|------------------|
| Tube OD |          |       |     |     | approx. |      |      |               | approx. |                  |
| d1      |          |       |     |     |         |      |      |               |         |                  |
| L 6     | PN 315   | G 1/8 | 19  | 14  | 38      | 23.5 | 14.5 | <sup>1)</sup> | 5.2     | 0 1 42 03 20 07  |
| L 6     | PN 315   | G 1/4 | 19  | 14  | 38      | 23.5 | 14.5 | 4.6           | 4.8     | 0 1 42 04 20 07* |
| L 8     | PN 315   | G 1/4 | 19  | 17  | 38      | 23.5 | 14.5 | 4.6           | 5.5     | 0 1 42 09 20 07  |
| L 10    | PN 315   | G 1/4 | 19  | 19  | 39.5    | 25   | 14.5 | 4.6           | 6.2     | 0 1 42 13 20 07  |
| L 12    | PN 315   | G 1/4 | 19  | 22  | 40.5    | 26   | 14.5 | 4.6           | 7.4     | 0 1 42 18 20 07  |
| S 6     | PN 630   | G 1/2 | 27  | 17  | 45      | 25   | 20   | 5.2           | 9.9     | 0 1 42 54 20 07  |
| S 8     | PN 630   | G 1/2 | 27  | 19  | 45      | 25   | 20   | 5.2           | 10.4    | 0 1 42 59 20 07  |
| S 10    | PN 630   | G 1/2 | 27  | 22  | 47      | 27   | 20   | 5.2           | 12.0    | 0 1 42 61 20 07  |
| S 12    | PN 630   | G 1/2 | 27  | 24  | 47.5    | 27.5 | 20   | 5.2           | 12.9    | 0 1 42 69 20 07  |

\* Sample product code, see:  
MAVEV06LR

<sup>1)</sup> without seal-edge ring