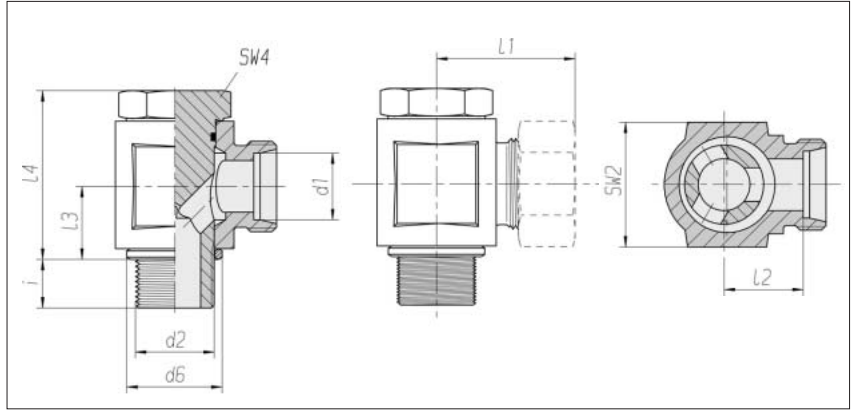


# Banjo couplings

Low-restrictive design with eccentric flow channel

Thread:  
Whitworth pipe thread, straight

With seal-edge ring for DIN 3852 / ISO 1179 d4 narrow swivel angle



Series	Pressure	d2	d6	SW2	SW4	I1	I2	I3	I4	i	Nm	kg/100	Order No.	Order No.
Tube OD						approx.					-10 %	approx.	Single component	*
d1														
L 6	PB 500	G 1/8 A	14	19	14	27	12	10.5	25.3	8	25	5.0	1 1 57 00 20 81**	1 1 57 00 20 07
L 8	PB 400	G 1/4 A	18	22	19	29.5	14.5	14	31.5	12	40	10.0	1 1 57 05 20 81	1 1 57 05 20 07
L 10	PB 350	G 1/4 A	18	22	19	30.5	15.5	14	33	12	38	10.4	1 1 57 10 20 81	1 1 57 10 20 07
L 12	PB 350	G 3/8 A	22	27	22	33	18	16.5	38.5	12	75	16.5	1 1 57 15 20 81	1 1 57 15 20 07
L 12	PB 315	G 1/2 A	26	32	27	37	22	21.5	45.5	14	110	28.4	1 1 57 19 20 81	1 1 57 19 20 07
L 15	PB 315	G 1/2 A	26	32	27	37	22	21.5	45.5	14	110	28.7	1 1 57 20 20 81	1 1 57 20 20 07
L 18	PB 315	G 1/2 A	26	36	27	38	21.5	21.5	47.5	14	110	29.3	1 1 57 25 20 81	1 1 57 25 20 07
L 22	PB 200	G 3/4 A	32	46	36	45	28.5	24	56.5	16	160	56.3	1 1 57 30 20 81	1 1 57 30 20 07
L 28	PB 200	G 1 A	39	50	41	48	31.5	30.5	68	18	270	88.1	1 1 57 35 20 81	1 1 57 35 20 07
L 35	PB 200	G 1 1/4 A	49	60	50	57	35.5	35.5	78	20	500	147.9	1 1 57 40 20 81	1 1 57 40 20 07
L 42	PB 200	G 1 1/2 A	55	70	60	63	40	40.5	88.5	22	600	218.6	1 1 57 45 20 81	1 1 57 45 20 07
S 6	PB 500	G 1/4 A	18	22	19	31.5	16.5	14	30.5	12	53	10.3	1 1 57 50 20 81	1 1 57 50 20 07
S 8	PB 450	G 1/4 A	18	22	19	31.5	16.5	14	31	12	53	10.6	1 1 57 55 20 81	1 1 57 55 20 07
S 10	PB 400	G 3/8 A	22	27	22	35	18.5	16.5	37	12	120	17.3	1 1 57 60 20 81	1 1 57 60 20 07
S 12	PB 400	G 3/8 A	22	27	22	35	18.5	16.5	37.5	12	120	17.8	1 1 57 65 20 81	1 1 57 65 20 07
S 14	PB 400	G 1/2 A	26	32	27	41	23	21.5	43	14	160	29.1	1 1 57 70 20 81	1 1 57 70 20 07
S 16	PB 400	G 1/2 A	26	36	27	41	22.5	21.5	47	14	160	31.5	1 1 57 75 20 81	1 1 57 75 20 07
S 20	PB 400	G 3/4 A	32	46	36	49	27.5	24	55	16	330	59.4	1 1 57 80 20 81	1 1 57 80 20 07
S 25	PB 250	G 1 A	39	50	41	55	31	30.5	66.5	18	380	93.2	1 1 57 85 20 81	1 1 57 85 20 07
S 30	PB 250	G 1 1/4 A	49	60	50	63	36.5	35.5	75.5	20	600	156.7	1 1 57 90 20 81	1 1 57 90 20 07
S 38	PB 250	G 1 1/2 A	55	70	60	72	41	40.5	86.5	22	800	232.3	1 1 57 95 20 81	1 1 57 95 20 07

\* With union nut and 2S cutting ring

\*\* Sample product code, see: WH06LROMD