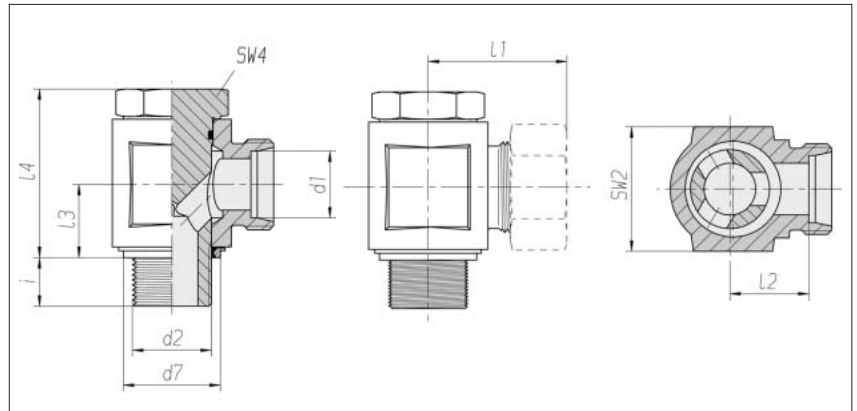


Banjo couplings

Low-restrictive design with eccentric flow channel

Thread:
Whitworth pipe thread, straight

With soft seal
for DIN 3852 / ISO 1179
d4 narrow swivel angle



Series	Pressure	d2		d7	SW2	SW4	I1*	I2*	I3	I4	i	Nm	kg/100	Order No.	Order No.
Tube OD							approx.					-10 %	approx.	Single component	**
d1															
L 6	PB 500	G 1/8 A		14.9	19	14	27	12	10.5	25.3	8	25	5.0	1 1 57 01 20 81***1	1 1 57 01 20 XX
L 8	PB 400	G 1/4 A		18.9	22	19	29.5	14.5	14	31.5	12	40	9.8	1 1 57 06 20 81	1 1 57 06 20 XX
L 10	PB 350	G 1/4 A		18.9	22	19	30.5	15.5	14	33	12	38	10.1	1 1 57 11 20 81	1 1 57 11 20 XX
L 12	PB 350	G 3/8 A		21.9	27	22	33	18	16.5	38.5	12	75	16.2	1 1 57 16 20 81	1 1 57 16 20 XX
L 12	PB 315	G 1/2 A		30.0	32	27	37	22	21.5	45.5	14	110	27.7	1 1 56 81 20 81	1 1 56 81 20 XX
L 15	PB 315	G 1/2 A		26.9	32	27	37	22	21.5	45.5	14	110	28.4	1 1 57 21 20 81	1 1 57 21 20 XX
L 18	PB 315	G 1/2 A		26.9	36	27	38	21.5	21.5	47.5	14	110	29.6	1 1 57 26 20 81	1 1 57 26 20 XX
L 22	PB 200	G 3/4 A		32.9	46	36	45	28.5	24	56.5	16	160	56.8	1 1 57 31 20 81	1 1 57 31 20 XX
L 28	PB 200	G 1 A		39.9	50	41	48	31.5	30.5	68	18	270	86.6	1 1 57 36 20 81	1 1 57 36 20 XX
L 35	PB 200	G 1 1/4 A		49.9	60	50	57	35.5	35.5	78	20	500	146.6	1 1 57 41 20 81	1 1 57 41 20 XX
L 42	PB 200	G 1 1/2 A		55.9	70	60	63	40	40.5	88.5	22	600	214.5	1 1 57 46 20 81	1 1 57 46 20 XX
S 6	PB 500	G 1/4 A		18.9	22	19	31.5	16.5	14	30.5	12	53	10.4	1 1 57 51 20 81	1 1 57 51 20 XX
S 8	PB 450	G 1/4 A		18.9	22	19	31.5	16.5	14	31	12	53	10.5	1 1 57 56 20 81	1 1 57 56 20 XX
S 10	PB 400	G 3/8 A		21.9	27	22	35	18.5	16.5	37	12	120	17.3	1 1 57 61 20 81	1 1 57 61 20 XX
S 12	PB 400	G 3/8 A		21.9	27	22	35	18.5	16.5	37.5	12	120	17.5	1 1 57 66 20 81	1 1 57 66 20 XX
S 16	PB 400	G 1/2 A		26.9	36	27	41	22.5	21.5	47	14	160	31.2	1 1 57 76 20 81	1 1 57 76 20 XX
S 20	PB 400	G 3/4 A		32.9	46	36	49	27.5	24	55	16	330	59.4	1 1 57 81 20 81	1 1 57 81 20 XX
S 25	PB 250	G 1 A		39.9	50	41	55	31	30.5	66.5	18	380	93.8	1 1 57 86 20 81	1 1 57 86 20 XX
S 30	PB 250	G 1 1/4 A		49.9	60	50	63	36.5	35.5	75.5	20	600	155.2	1 1 57 91 20 81	1 1 57 91 20 XX
S 38	PB 250	G 1 1/2 A		55.9	70	60	72	41	40.5	86.5	22	800	231.1	1 1 57 96 20 81	1 1 57 96 20 XX

Supplementary to Order No. for complete fitting	
tube connection	Supplementary to Order No.
2S	07
ES-4	09
BV-10	Refer to the front page

* I1 and I2 apply to complete fittings with 2S or ES-4 tube connection components.
For BV-10 Refer to the front page.

** With union nut and 2S, ES-4 or BV-10 tube connection components

*** Sample product code, see: WH06LRKDSOMD