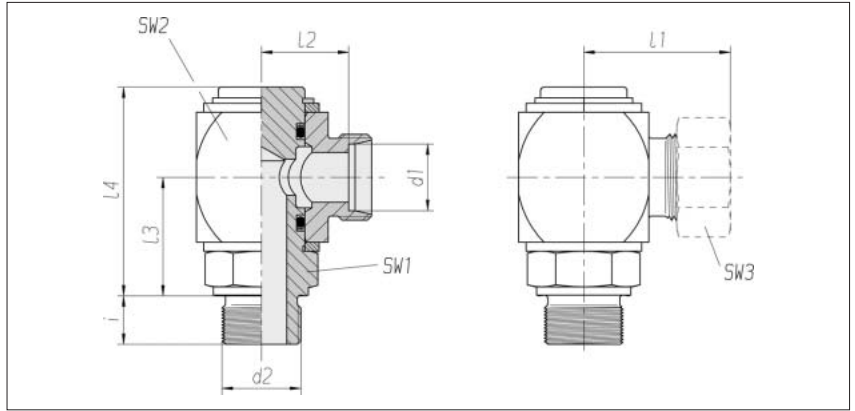


Rotary couplings

Thread:
metric fine thread,
straight

Sealed with seal edge

Design:
of square bar steel



Series	Pressure	d2	SW1	SW2	SW3	l1	l2	l3	l4	i	Nm	kg/100	Order No.	Order No.
Tube OD						approx.					-10 % approx.		Single component	*
L 6	PB 100	M 10 x 1	22	27	14	31	16.5	26.5	47	8	25	18.1	0 1 75 00 10 81**	0 1 75 00 10 07
L 8	PB 100	M 12 x 1.5	22	27	17	31	16.5	26.5	47	12	35	18.4	0 1 75 05 10 81	0 1 75 05 10 07
L 10	PB 100	M 14 x 1.5	22	27	19	32	17.5	26.5	47	12	50	19.3	0 1 75 10 10 81	0 1 75 10 10 07
L 12	PB 100	M 16 x 1.5	22	27	22	31.5	17.5	26.5	47	12	80	18.9	0 1 75 15 10 81	0 1 75 15 10 07
L 12	PB 100	M 16 x 1.5	22	27	22	31.5	17.5	26.5	47	12	80	18.9	0 1 75 16 10 81***	0 1 75 16 10 07
L 15	PB 100	M 18 x 1.5	27	36	27	38.5	23.5	33.5	58.5	12	100	40.8	0 1 75 20 10 81	0 1 75 20 10 07
L 15	PB 100	M 22 x 1.5	27	36	27	38.5	23.5	33.5	58.5	14	160	41.3	0 1 75 22 10 81	0 1 75 22 10 07
L 18	PB 100	M 22 x 1.5	27	36	32	39	23	33.5	58.5	14	160	41.0	0 1 75 25 10 81	0 1 75 25 10 07
L 22	PB 100	M 26 x 1.5	32	41	36	43	27	38	65.5	16	220	54.3	0 1 75 30 10 81	0 1 75 30 10 07
L 28	PB 100	M 33 x 2	41	46	41	46	29.5	42.5	72	18	300	78.4	0 1 75 35 10 81	0 1 75 35 10 07
S 6	PB 400	M 12 x 1.5	22	27	17	33	18.5	26.5	47	12	50	20.0	0 1 75 50 10 81	0 1 75 50 10 07
S 8	PB 400	M 14 x 1.5	22	27	19	33	18.5	26.5	47	12	60	20.3	0 1 75 55 10 81	0 1 75 55 10 07
S 10	PB 400	M 16 x 1.5	22	27	22	34	18	26.5	47	12	100	20.3	0 1 75 60 10 81	0 1 75 60 10 07
S 12	PB 400	M 18 x 1.5	27	36	24	39	23	33.5	58.5	12	120	42.7	0 1 75 65 10 81	0 1 75 65 10 07
S 14	PB 400	M 20 x 1.5	27	36	27	42.5	25	33.5	58.5	14	170	43.2	0 1 75 70 10 81	0 1 75 70 10 07
S 16	PB 400	M 22 x 1.5	27	36	30	42.5	24.5	33.5	58.5	14	190	42.9	0 1 75 75 10 81	0 1 75 75 10 07
S 16	PB 400	M 22 x 1.5	27	36	30	42.5	24.5	33.5	58.5	14	190	42.9	1 1 75 75 10 81***	1 1 75 75 10 07
S 20	PB 400	M 27 x 2	32	41	36	47.5	26	38	65.5	16	300	56.8	0 1 75 80 10 81	0 1 75 80 10 07
S 25	PB 250	M 33 x 2	41	46	46	53	29	42.5	72	18	450	79.0	0 1 75 85 10 81	0 1 75 85 10 07

These couplings are intended for slow rotating and swivelling movements with a swivelling angle of up to 360° and temperatures of up to 70 °C

* With union nut and 2S cutting ring

** Sample product code, see: DWWE06LMOMD

*** Sealed with PEFLEX seal