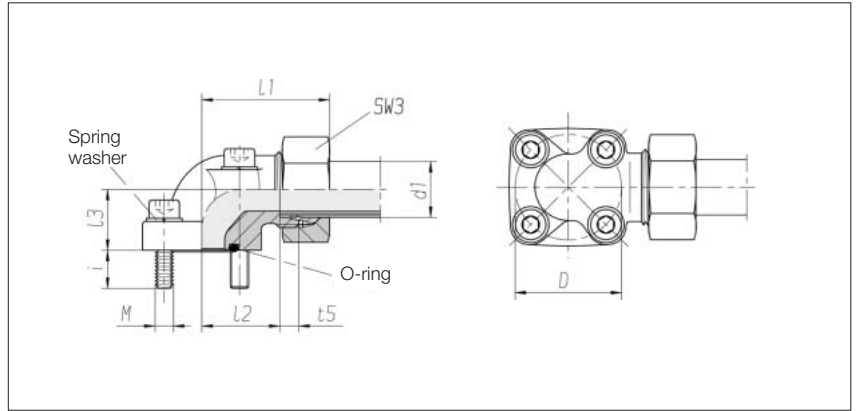


Elbow flange couplings

With cutting-ring and square flange connection



Series	PB	Hole circle dia. D	SW3	l1 approx.	l2	l3	t5	i approx.	4 x cheese head screw DIN 912-8.8	O-ring	Nm*	kg/100 approx.	Order No. complete	Order No. **
L 10	315	35	19	46	31	16.5	7	12.5	2 x M 6 x 22 2 x M 6 x 35	20 x 2.5	10	18.6	0 1 95 42 20 81***	0 1 95 42 20 07
L 12	315	35	22	46	31	16.5	7	12.5	2 x M 6 x 22 2 x M 6 x 35	20 x 2.5	10	16.8	0 1 95 62 20 81	0 1 95 62 20 07
L 15	250	35	27	46	31	16.5	7	12.5	2 x M 6 x 22 2 x M 6 x 35	20 x 2.5	10	17.8	0 1 95 63 20 81	0 1 95 63 20 07
L 15	100	40	27	46	31	22.5	7	12.5	4 x M 6 x 22	26 x 2.5	10	20.4	0 1 95 64 20 81	0 1 95 64 20 07
L 18	100	35	32	47	30.5	20	7.5	12.5	2 x M 6 x 22 2 x M 6 x 40	20 x 2.5	10	22.8	0 1 95 45 20 81	0 1 95 45 20 07
L 18	100	40	32	47	30.5	22.5	7.5	12.5	4 x M 6 x 22	26 x 2.5	10	20.6	0 1 95 43 20 81	0 1 95 43 20 07
L 22	100	40	36	47	30.5	22.5	7.5	12.5	4 x M 6 x 22	26 x 2.5	10	20.9	0 1 95 44 20 81	0 1 95 44 20 07
L 28	100	40	41	49	32.5	28	7.5	12.5	2 x M 6 x 22 2 x M 6 x 50	26 x 2.5	10	29.9	0 1 95 15 20 81	0 1 95 15 20 07
L 35	100	40	50	52	30.5	34	10.5	12.5	2 x M 6 x 22 2 x M 6 x 60	26 x 2.5	10	39.5	0 1 95 27 20 81	0 1 95 27 20 07
L 35	100	55	50	60	38.5	32	10.5	11.5	2 x M 8 x 25 2 x M 8 x 60	32 x 2.5	25	57.9	0 1 95 17 20 81	0 1 95 17 20 07

* Nm = Recommended tightening torques for cheese head screws M 6/8 with friction value μ total 0.14

** With union nut and 2S cutting ring

*** Sample product code, see: BFW10L/LK35