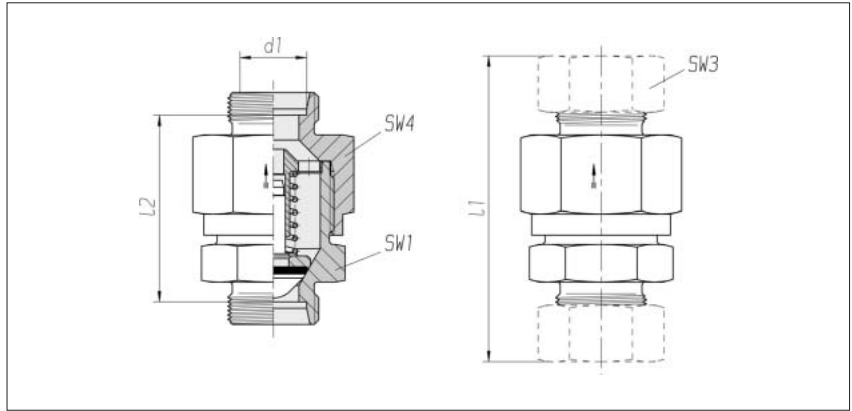


## Non-return valves

Tube coupling on both ends  
with 2S cutting ring

Opening pressure 1 bar  
(standard design)



Series	Pressure*	SW1	SW3	SW4	l1** approx.	l2	kg/100 approx.	Order No. Single component	Order No. ***
L 6	PB 250	17	14	17	58	29	4.4	0 6 00 01 20 81****	0 6 00 01 20 XX
L 8	PB 250	19	17	19	59	30	5.5	0 6 00 02 20 81	0 6 00 02 20 XX
L 10	PB 250	22	19	24	69.5	40.5	9.8	0 6 00 03 20 81	0 6 00 03 20 XX
L 12	PB 250	27	22	30	72.5	43.5	16.5	0 6 00 04 20 81	0 6 00 04 20 XX
L 15	PB 250	30	27	32	77.5	47.5	20.5	0 6 00 05 20 81	0 6 00 05 20 XX
L 18	PB 160	36	32	36	83.5	51.5	29.0	0 6 00 06 20 81	0 6 00 06 20 XX
L 22	PB 160	41	36	46	93.5	61.5	49.5	0 6 00 07 20 81	0 6 00 07 20 XX
L 28	PB 100	50	41	55	103	70	78.4	0 6 00 08 20 81	0 6 00 08 20 XX
L 35	PB 100	60	50	65	117.5	74.5	122.7	0 6 00 09 20 81	0 6 00 09 20 XX
L 42	PB 100	65	60	75	122.5	77.5	162.6	0 6 00 10 20 81	0 6 00 10 20 XX
S 6	PB 630	19	17	19	63.5	34.5	6.6	0 6 00 11 20 81	0 6 00 11 20 XX
S 8	PB 630	19	19	19	63.5	34.5	6.8	0 6 00 12 20 81	0 6 00 12 20 XX
S 10	PB 630	22	22	24	72.5	40.5	11.5	0 6 00 13 20 81	0 6 00 13 20 XX
S 12	PB 630	24	24	27	74.5	42.5	14.5	0 6 00 14 20 81	0 6 00 14 20 XX
S 14	PB 630	27	27	32	82.5	47.5	20.9	0 6 00 15 20 81	0 6 00 15 20 XX
S 16	PB 400	32	30	36	86.5	50.5	27.8	0 6 00 16 20 81	0 6 00 16 20 XX
S 20	PB 400	41	36	46	97.5	54.5	49.5	0 6 00 17 20 81	0 6 00 17 20 XX
S 25	PB 400	46	46	50	106.5	58.5	62.7	0 6 00 18 20 81	0 6 00 18 20 XX
S 30	PB 250	55	50	60	122	69	107.8	0 6 00 19 20 81	0 6 00 19 20 XX
S 38	PB 250	65	60	70	136.5	75.5	161.3	0 6 00 20 20 81	0 6 00 20 20 XX

Supplementary to Order No. for complete fitting tube connection	Supplementary to Order No.
2S	07
ES-4	09
BV-10	Refer to the front page

\* Test pressure PP = 1.5 x table value

\*\* Apply to complete fittings with 2S or ES-4 tube connection components.  
For BV-10 Refer to the front page.

\*\*\* With union nut and 2S, ES-4 or BV-10 tube connection components

\*\*\*\* Sample product code, see: RHD06LOMD