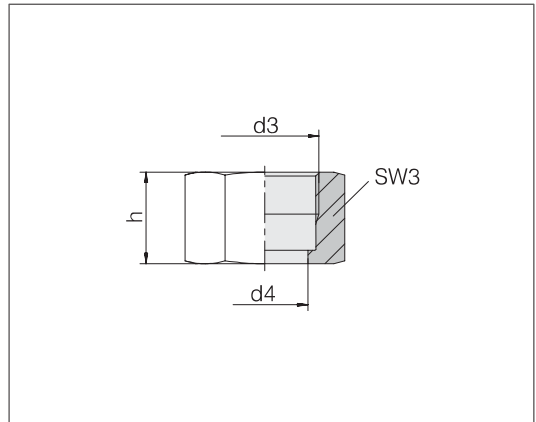


24/37°锁紧螺母



| 管外经系列 | d3 | 压力 | d4 | SW3 | h | kg/100 大约 | 订货号 | 名称 |
|-------|------------|--------|------|-----|------|--------------|------------|-------------------|
| L 6 | M 12 x 1.5 | PN 500 | 7.8 | 14 | 17 | 1.2 | 0041402100 | 24-24/37N-L6 |
| L 8 | M 14 x 1.5 | PN 500 | 9.5 | 17 | 18 | 1.9 | 0041412100 | 24-24/37N-L8 |
| L 10 | M 16 x 1.5 | PN 500 | 11.7 | 19 | 19.5 | 2.4 | 0041422100 | 24-24/37N-L10 |
| L 12 | M 18 x 1.5 | PN 400 | 13.8 | 22 | 20.5 | 3.5 | 0041432100 | 24-24/37N-L12 |
| L 15 | M 22 x 1.5 | PN 630 | 17.7 | 27 | 23 | 5.7 | 0041442100 | 24-24/37N-L15-S14 |
| L 18 | M 26 x 1.5 | PN 400 | 21.2 | 32 | 23 | 7.9 | 0041452100 | 24-24/37N-L18 |
| L 22 | M 30 x 2 | PN 400 | 24.4 | 36 | 27.5 | 11.5 | 0041462100 | 24-24/37N-L22-S20 |
| L 28 | M 36 x 2 | PN 250 | 30.4 | 41 | 27.5 | 12.5 | 0041472100 | 24-24/37N-L28 |
| L 35 | M 45 x 2 | PN 250 | 38.3 | 50 | 30 | 17.9 | 0041482100 | 24-24/37N-L35 |
| L 42 | M 52 x 2 | PN 250 | 45.3 | 60 | 34 | 32.4 | 0041492100 | 24-24/37N-L42 |
| S 6 | M 14 x 1.5 | PN 630 | 7.8 | 17 | 18 | 2.0 | 0041502100 | 24-24/37N-S6 |
| S 8 | M 16 x 1.5 | PN 630 | 9.5 | 19 | 19 | 2.4 | 0041512100 | 24-24/37N-S8 |
| S 10 | M 18 x 1.5 | PN 630 | 11.7 | 22 | 20.5 | 3.6 | 0041522100 | 24-24/37N-S10 |
| S 12 | M 20 x 1.5 | PN 630 | 13.8 | 24 | 21 | 4.1 | 0041532100 | 24-24/37N-S12 |
| S 14 | M 22 x 1.5 | PN 630 | 17.7 | 27 | 23 | 5.7 | 0041442100 | 24-24/37N-L15-S14 |
| S 16 | M 24 x 1.5 | PN 630 | 18.7 | 30 | 26.5 | 8.4 | 0041542100 | 24-24/37N-S16 |
| S 20 | M 30 x 2 | PN 400 | 24.4 | 36 | 27.5 | 11.5 | 0041462100 | 24-24/37N-L22-S20 |
| S 25 | M 36 x 2 | PN 400 | 28.7 | 46 | 30.5 | 23.1 | 0041552100 | 24-24/37N-S25 |
| S 30 | M 42 x 2 | PN 400 | 34.2 | 50 | 32 | 24.1 | 0041562100 | 24-24/37N-S30 |
| S 38 | M 52 x 2 | PN 400 | 42.3 | 60 | 38 | 37.0 | 0041572100 | 24-24/37N-S38 |