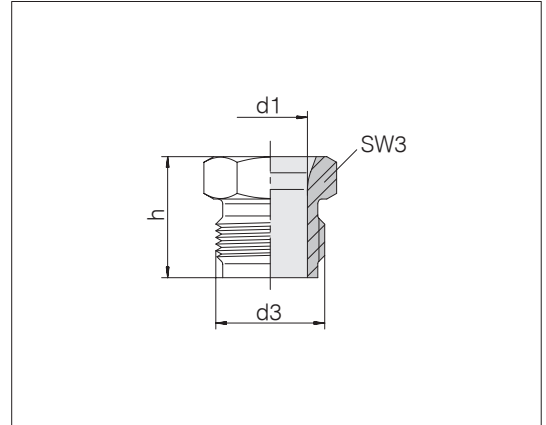


## Retaining screws



Tube OD d1	d3 metric	SW3	h	kg/100 ca.	Order-No.	Designation
6	M 12 x 1.5	14	18	1.1	7001416800	40-SU-6-SST
8	M 14 x 1.5	16	19	1.5	7001417100	40-SU-8-SST
10	M 16 x 1.5	17	19	1.6	7001417200	40-SU-10-SST
12	M 18 x 1.5	19	20	2.0	7001417300	40-SU-12-SST
14	M 20 x 1.5	22	20	2.5	7001417400	40-SU-14-SST
15	M 21 x 1.5	22	20	2.4	7001417500	40-SU-15-SST
16	M 22 x 1.5	24	21	3.0	7001417600	40-SU-16-SST
18	M 24 x 1.5	27	22	3.9	7001417700	40-SU-18-SST
20	M 26 x 1.5	27	22	3.6	7001417800	40-SU-20-SST
22	M 28 x 1.5	30	22	4.3	7001417900	40-SU-22-SST

The union screws are silver plated to reduce the mounting force outside.