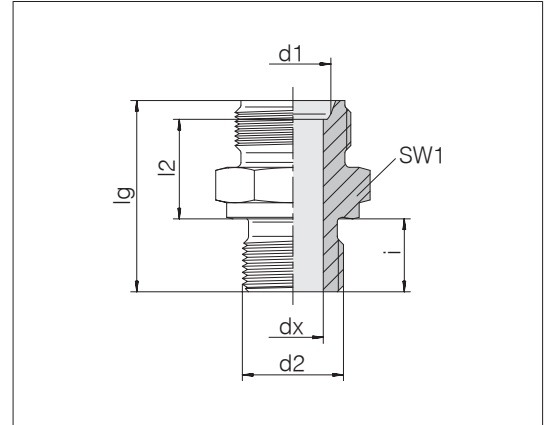


Male stud connectors

Male thread: BSPP thread, cylindrical
 Threaded stud: DIN ISO 1179-4 Form B
 Sealing type: Sealing edge

Tube coupling: VOSS *Lok*⁴⁰



Tube OD d1	d2 BSPP	dx	lg	l2	SW1	i	kg/100 ca.	Order-No.	Designation
6	G 1/8 A	4	24	13.4	14	8	1.5	7004830300	40-SDS-6-G1/8B-SST
8	G 1/4 A	5	29.5	14.8	19	12	3.1	7004830400	40-SDS-8-G1/4B-SST
10	G 1/4 A	6	29.5	14.5	19	12	3.2	7004830500	40-SDS-10-G1/4B-SST
12	G 3/8 A	9	31.5	16.4	22	12	5.1	7004830600	40-SDS-12-G3/8B-SST
14	G 1/2 A	11.5	34	16.8	27	14	7.7	7004830700	40-SDS-14-G1/2B-SST
15	G 1/2 A	12	34	16.7	27	14	7.4	7004830800	40-SDS-15-G1/2B-SST
16	G 1/2 A	13	34	16.5	27	14	6.9	7004830900	40-SDS-16-G1/2B-SST
18	G 1/2 A	14	35.5	17.9	27	14	7.7	7004831000	40-SDS-18-G1/2B-SST
20	G 3/4 A	16	37.5	17.8	32	16	11.3	7004831100	40-SDS-20-G3/4B-SST
22	G 3/4 A	18	37.5	17.5	32	16	10.5	7004831200	40-SDS-22-G3/4B-SST