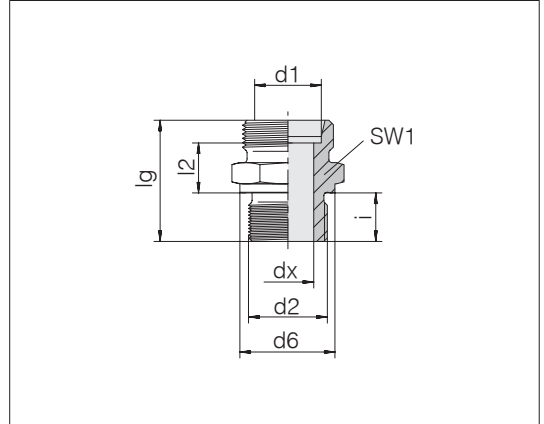


Male stud connectors

Male thread: BSPP thread, cylindrical
 Threaded stud: DIN ISO 1179-4 Form B
 Sealing type: Sealing edge

Tube coupling: 24° in acc. with ISO 8434-1



Series	Tube OD d1	d2	Pressure	d6	dx	lg	l2	SW1	i	Nm -10 %	kg/100 ca.	Order-No.	Designation	
L 6		G 1/8 A	PN 400	14	4	23.5	8.5	14	8	25	1.4	0710002000	24-SDS-L6-G1/8B	1)
L 6		G 1/4 A	PN 400	18	4	28	9	19	12	55	2.4	0710022000	24-SDS-L6-G1/4B	
L 6		G 3/8 A	PN 400	22	4	30.5	11.5	22	12	95	4.0	0710032000	24-SDS-L6-G3/8B	
L 6		G 1/2 A	PN 400	26	4	33	12	27	14	185	7.4	0710042000	24-SDS-L6-G1/2B	
L 8		G 1/8 A	PN 400	14	4	24.5	9.5	17	8	25	1.8	0710062000	24-SDS-L8-G1/8B	
L 8		G 1/4 A	PN 400	18	6	29	10	19	12	55	2.7	0710052000	24-SDS-L8-G1/4B	1)
L 8		G 3/8 A	PN 400	22	6	30.5	11.5	22	12	95	4.4	0710072000	24-SDS-L8-G3/8B	
L 8		G 1/2 A	PN 400	26	6	33	12	27	14	185	7.4	0710082000	24-SDS-L8-G1/2B	
L 10		G 1/8 A	PN 400	14	4	25.5	10.5	17	8	25	2.1	0710112000	24-SDS-L10-G1/8B	
L 10		G 1/4 A	PN 400	18	6	30	11	19	12	55	3.0	0710102000	24-SDS-L10-G1/4B	1)
L 10		G 3/8 A	PN 400	22	7	31.5	12.5	22	12	95	4.5	0710122000	24-SDS-L10-G3/8B	
L 10		G 1/2 A	PN 400	26	7	34	13	27	14	185	7.2	0710132000	24-SDS-L10-G1/2B	
L 10		G 3/4 A	PN 400	32	8	37	14	32	16	230	10.4	1710152000	24-SDS-L10-G3/4B	
L 12		G 1/4 A	PN 400	18	6	31	12	19	12	55	3.2	0710162000	24-SDS-L12-G1/4B	
L 12		G 3/8 A	PN 400	22	9	31.5	12.5	22	12	95	4.2	0710152000	24-SDS-L12-G3/8B	1)
L 12		G 1/2 A	PN 400	26	9	34	13	27	14	185	7.1	0710172000	24-SDS-L12-G1/2B	
L 12		G 3/4 A	PN 400	32	9	37	14	32	16	230	9.0	0710182000	24-SDS-L12-G3/4B	
L 15		G 1/4 A	PN 400	18	6	32	13	24	12	55	4.6	0710232000	24-SDS-L15-G1/4B	
L 15		G 3/8 A	PN 400	22	9	32.5	13.5	24	12	95	5.2	0710212000	24-SDS-L15-G3/8B	
L 15		G 1/2 A	PN 400	26	11	35	14	27	14	185	7.1	0710202000	24-SDS-L15-G1/2B	1)
L 15		G 3/4 A	PN 400	32	12	38	15	32	16	250	11.7	0710222000	24-SDS-L15-G3/4B	
L 18		G 3/8 A	PN 400	22	9	33.5	14	27	12	95	6.7	0710262000	24-SDS-L18-G3/8B	
L 18		G 1/2 A	PN 400	26	14	36	14.5	27	14	185	7.0	0710252000	24-SDS-L18-G1/2B	1)
L 18		G 3/4 A	PN 400	32	15	38	14.5	32	16	250	11.0	0710272000	24-SDS-L18-G3/4B	
L 18		G 1 A	PN 200	39	15	41	15.5	41	18	330	20.3	0710282000	24-SDS-L18-G1B	
L 22		G 1/2 A	PN 200	26	14	38	16.5	32	14	185	8.8	0710312000	24-SDS-L22-G1/2B	
L 22		G 3/4 A	PN 200	32	18	40	16.5	32	16	250	10.3	0710302000	24-SDS-L22-G3/4B	1)
L 22		G 1 A	PN 200	39	19	43	17.5	41	18	400	18.5	0710322000	24-SDS-L22-G1B	

1) Standard size

Example for comp. :
 GE06LRX
 ISO 8434-1-SDS-L6xG1/8A-B-St

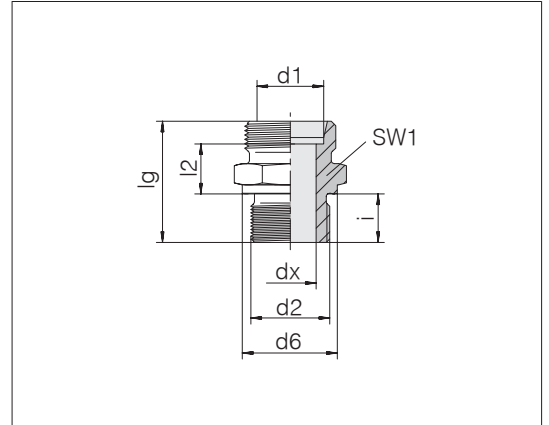
Continued on following page



Male stud connectors

Male thread: BSPP thread, cylindrical
 Threaded stud: DIN ISO 1179-4 Form B
 Sealing type: Sealing edge

Tube coupling: 24° in acc. with ISO 8434-1



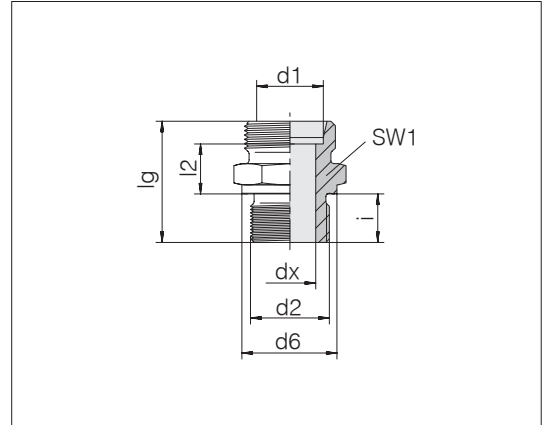
Series	Tube OD d1	d2	Pressure	d6	dx	lg	l2	SW1	i	Nm -10 %	kg/100 ca.	Order-No.	Designation
L 28		G 1/2 A	PN 200	26	14	39	17.5	41	14	185	14.3	1710362000	24-SDS-L28-G1/2B
L 28		G 3/4 A	PN 200	32	18	41	17.5	41	16	250	14.3	0710362000	24-SDS-L28-G3/4B
L 28		G 1 A	PN 200	39	23	43	17.5	41	18	400	16.9	0710352000	24-SDS-L28-G1B ¹⁾
L 28		G 1 1/4 A	PN 200	49	23	46	18.5	50	20	670	25.8	0710372000	24-SDS-L28-G11/4B
L 28		G 1 1/2 A	PN 200	55	24	50	20.5	55	22	800	34.6	1710242000	24-SDS-L28-G11/2B
L 35		G 3/4 A	PN 200	32	18	44	17.5	50	16	250	26.0	1710162000	24-SDS-L35-G3/4B
L 35		G 1 A	PN 200	39	23	46	17.5	50	18	400	24.1	0710412000	24-SDS-L35-G1B
L 35		G 1 1/4 A	PN 200	49	30	48	17.5	50	20	670	27.4	0710402000	24-SDS-L35-G11/4B ¹⁾
L 35		G 1 1/2 A	PN 200	55	30	52	19.5	55	22	800	47.2	0710422000	24-SDS-L35-G11/2B
L 42		G 1 A	PN 200	39	23	48	19	55	18	400	31.2	1710182000	24-SDS-L42-G1B
L 42		G 1 1/4 A	PN 200	49	30	50	19	55	20	670	33.1	0710462000	24-SDS-L42-G11/4B
L 42		G 1 1/2 A	PN 200	55	36	52	19	55	22	800	34.9	0710452000	24-SDS-L42-G11/2B ¹⁾
S 6		G 1/4 A	PN 500	18	4	32	13	19	12	95	3.5	0710502000	24-SDS-S6-G1/4B ¹⁾
S 6		G 3/8 A	PN 500	22	4	34.5	15.5	22	12	180	5.3	0710522000	24-SDS-S6-G3/8B
S 6		G 1/2 A	PN 500	26	4	35	14	27	14	160	6.7	0710532000	24-SDS-S6-G1/2B
S 8		G 1/4 A	PN 500	18	5	34	15	19	12	95	4.1	0710552000	24-SDS-S8-G1/4B ¹⁾
S 8		G 3/8 A	PN 500	22	5	34.5	15.5	22	12	180	5.5	0710572000	24-SDS-S8-G3/8B
S 8		G 1/2 A	PN 500	26	5	39	18	27	14	160	8.9	0710582000	24-SDS-S8-G1/2B
S 10		G 1/4 A	PN 500	18	5	34	14.5	19	12	95	4.2	0710612000	24-SDS-S10-G1/4B
S 10		G 3/8 A	PN 400	22	7	34.5	15	22	12	180	5.6	0710602000	24-SDS-S10-G3/8B ¹⁾
S 10		G 1/2 A	PN 400	26	7	35	13.5	27	14	160	7.8	0710622000	24-SDS-S10-G1/2B
S 12		G 1/4 A	PN 400	18	5	36	16.5	22	12	95	5.7	0710662000	24-SDS-S12-G1/4B
S 12		G 3/8 A	PN 400	22	8	36.5	17	22	12	180	6.2	0710652000	24-SDS-S12-G3/8B ¹⁾
S 12		G 1/2 A	PN 400	26	8	39	17.5	27	14	160	9.7	0710672000	24-SDS-S12-G1/2B
S 12		G 3/4 A	PN 400	32	8	43	19.5	32	16	350	14.9	0710682000	24-SDS-S12-G3/4B
S 14		G 3/8 A	PN 400	22	8	39	19	24	12	180	7.5	0710712000	24-SDS-S14-G3/8B
S 14		G 1/2 A	PN 400	26	10	41	19	27	14	160	9.8	0710702000	24-SDS-S14-G1/2B ¹⁾
S 14		G 3/4 A	PN 400	32	10	45	21	32	16	350	16.4	0710722000	24-SDS-S14-G3/4B

¹⁾ Standard size

Male stud connectors

Male thread: BSPP thread, cylindrical
 Threaded stud: DIN ISO 1179-4 Form B
 Sealing type: Sealing edge

Tube coupling: 24° in acc. with ISO 8434-1



Series	Tube OD d1	d2	Pressure	d6	dx	lg	l2	SW1	i	Nm -10 %	kg/100 ca.	Order-No.	Designation
S 16		G 3/8 A	PN 400	22	8	38.5	18	27	12	180	8.4	0710762000	24-SDS-S16-G3/8B
S 16		G 1/2 A	PN 400	26	12	41	18.5	27	14	160	9.1	0710752000	24-SDS-S16-G1/2B ¹⁾
S 16		G 3/4 A	PN 400	32	12	45	20.5	32	16	350	15.5	0710772000	24-SDS-S16-G3/4B
S 16		G 1 A	PN 400	39	12	49	22.5	41	18	700	25.4	1710322000	24-SDS-S16-G1B
S 20		G 1/2 A	PN 400	26	12	45	20.5	32	14	160	13.3	0710812000	24-SDS-S20-G1/2B
S 20		G 3/4 A	PN 400	32	16	47	20.5	32	16	350	15.1	0710802000	24-SDS-S20-G3/4B ¹⁾
S 20		G 1 A	PN 400	39	16	51	22.5	41	18	700	27.5	0710822000	24-SDS-S20-G1B
S 25		G 3/4 A	PN 400	32	16	51	23	41	16	350	24.1	0710862000	24-SDS-S25-G3/4B
S 25		G 1 A	PN 400	39	20	53	23	41	18	700	26.6	0710852000	24-SDS-S25-G1B ¹⁾
S 25		G 1 1/4 A	PN 400	49	20	55	23	50	20	850	44.0	0710872000	24-SDS-S25-G11/4B
S 25		G 1 1/2 A	PN 400	55	20	60	26	55	22	1000	53.9	1710312000	24-SDS-S25-G11/2B
S 30		G 3/4 A	PN 200	32	16	53	23.5	46	16	350	29.9	0710932000	24-SDS-S30-G3/4B
S 30		G 1 A	PN 200	39	20	55	23.5	46	18	700	32.8	0710912000	24-SDS-S30-G1B
S 30		G 1 1/4 A	PN 200	49	25	57	23.5	50	20	850	41.7	0710902000	24-SDS-S30-G11/4B ¹⁾
S 30		G 1 1/2 A	PN 200	55	25	62	26.5	55	22	1000	64.5	1710332000	24-SDS-S30-G11/2B
S 38		G 1 A	PN 200	39	20	60	26	55	18	700	49.2	0710982000	24-SDS-S38-G1B
S 38		G 1 1/4 A	PN 200	49	25	62	26	55	20	850	55.0	0710962000	24-SDS-S38-G11/4B
S 38		G 1 1/2 A	PN 200	55	32	64	26	55	22	1000	56.6	0710952000	24-SDS-S38-G11/2B ¹⁾

¹⁾ Standard size