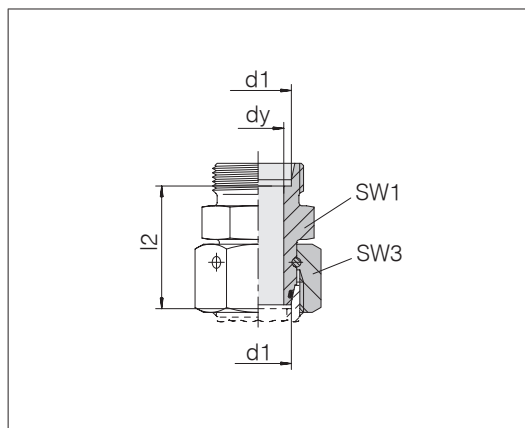


## Distance adapters

With taper and O-ring

Standard material of O-rings is FKM

Tube coupling: 24° in acc. with ISO 8434-1



Series	Tube OD	Pressure	dy	l2	SW1	SW3	Nm -5 %	kg/100 ca.	Order-No.	Designation
L	6	PN 500	2.5	36	12	14	20	3.7	1191402058	24-SWOS-L6
L	8	PN 500	4	36	14	17	30	5.0	1191412058	24-SWOS-L8
L	10	PN 500	6	36	17	19	40	6.6	1191422058	24-SWOS-L10
L	12	PN 400	8	36	19	22	50	8.7	1191862058	24-SWOS-L12
L	15	PN 400	10	36	24	27	70	13.2	1191432058	24-SWOS-L15
L	18	PN 400	13	36	27	32	90	16.8	1191882058	24-SWOS-L18
L	22	PN 250	17	40	32	36	120	23.0	1191872058	24-SWOS-L22
L	28	PN 250	22	40	41	41	160	29.7	1191892058	24-SWOS-L28
L	35	PN 250	28	50	46	50	250	49.0	1191902058	24-SWOS-L35
L	42	PN 250	34	60	55	60	380	85.0	1191912058	24-SWOS-L42
S	6	PN 800	2.5	36	14	17	25	5.3	1191442058	24-SWOS-S6
S	8	PN 800	4	36	17	19	40	7.0	1191492058	24-SWOS-S8
S	10	PN 800	6	36	19	22	50	8.7	1191522058	24-SWOS-S10
S	12	PN 630	8	36	22	24	60	10.4	1191482058	24-SWOS-S12
S	14	PN 630	9	40	24	27	75	14.7	1191532058	24-SWOS-S14
S	16	PN 630	11	40	27	30	85	17.8	1191542058	24-SWOS-S16
S	20	PN 420	14	46	32	36	140	28.0	1191512058	24-SWOS-S20
S	25	PN 420	18	50	41	46	190	50.3	1191502058	24-SWOS-S25
S	30	PN 420	23	56	46	50	270	65.6	1191342058	24-SWOS-S30
S	38	PN 420	30	60	55	60	400	93.6	1191692058	24-SWOS-S38

Example for comp. :  
DA06LOMD

