

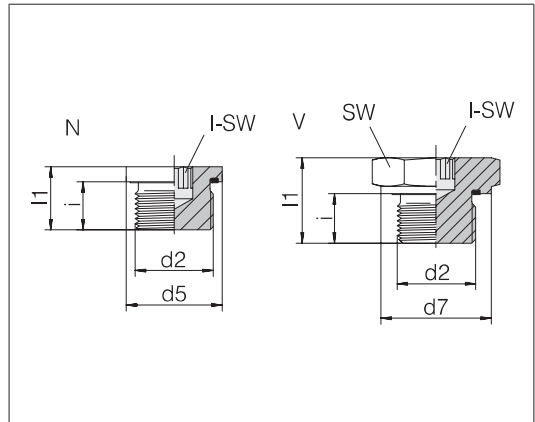
## Blanking screws

For threaded holes according to DIN 3852 / ISO 1179

Thread: Whitworth pipe thread, parallel

Sealing with PEFLEX profile seal ring

Standard profile seal ring material is NBR



d2	Pressure	d5	d7	I1	SW	I-SW	i	Form	Nm -10 %	kg/100 ca.	Order-No.	Designation
G 1/8 A	PN 400	14		12.3		5	8	N	12	0.7	0189332100	GP-PLIH-G1/8E-C21
G 1/4 A	PN 400	18,9		17,3		6	12	N	25	1,8	0189342100	GP-PLIH-G1/4E-C21
G 3/8 A	PN 400	22		17,3		8	12	N	50	2,7	0189352100	GP-PLIH-G3/8E-C21
G 1/2 A	PN 400	26,9		19,3		10	14	N	70	4,4	0189362100	GP-PLIH-G1/2E-C21
G 3/4 A	PN 400	32		21,3		12	16	N	120	7,5	0189372100	GP-PLIH-G3/4E-C21
G 1 A	PN 400	39,9		22,8		17	16	N	200	12,3	0189382100	GP-PLIH-G1E-C21
G 1 A	PN 400		46	33	46	17	18	V	250	27,2	1189382100	GP-PLIH-G1E-C21
G 1 1/4 A	PN 400	49,9		28		22	20	N	450	27,2	1189412100	GP-PLIH-G11/4E-PN400-C21
G 1 1/4 A	PN 400		57	38	60	22	20	V	400	54,3	1189392100	GP-PLIH-G11/4E-C21
G 1 1/4 A	PN 315	49,9		22,8		22	16	N	320	19,4	0189392100	GP-PLIH-G11/4E-C21
G 1 1/2 A	PN 400	55		30		24	22	N	600	37,5	1189422100	GP-PLIH-G11/2E-PN400-C21
G 1 1/2 A	PN 400		64	40	65	24	22	V	500	69,3	1189402100	GP-PLIH-G11/2E-C21
G 1 1/2 A	PN 315	55		22,8		24	16	N	400	25,2	0189402100	GP-PLIH-G11/2E-C21

Example for comp. :  
VST11/8ED

Threaded holes as spec. in  
DIN 3852, form X.  
d5 = d4 narrow