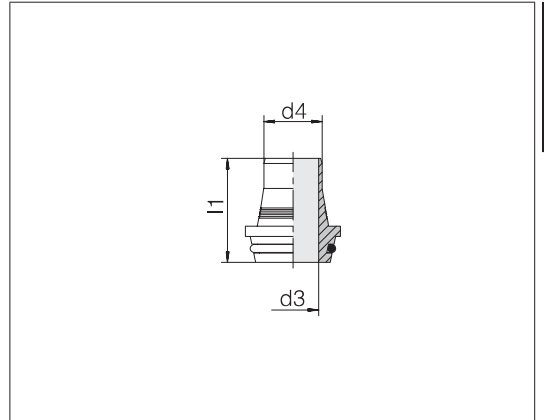


Flared cones

Standard O-ring material is NBR



3

Series Tube d1 x s	Pressure	d3	d4	l1	kg/100 ca.	Order-No.	Designation
S 8 x 1.5	PN 800	4	5.2	20	0.5	0034569900	24-BV10CO-S8x1,5-C19
S 8 x 2	PN 800	3	4.2	20	0.5	0034579900	24-BV10CO-S8x2-C19
S 10 x 1.5	PN 800	5.5	7.2	21	0.8	0034619900	24-BV10CO-S10x1,5-C19
S 10 x 2	PN 800	4.5	6.2	21	0.8	0034629900	24-BV10CO-S10x2-C19
S 12 x 1.5	PN 630	7.5	9.2	22.5	1.0	0034669900	24-BV10CO-S12x1,5-C19
S 12 x 2	PN 630	6.5	8.2	22.5	1.1	0034679900	24-BV10CO-S12x2-C19
S 12 x 3	PN 630	4.5	6.2	22.5	1.1	0034699900	24-BV10CO-S12x3-C19
S 14 x 2	PN 630	8.5	10.3	26	1.5	0034719900	24-BV10CO-S14x2-C19
S 16 x 2	PN 630	10.5	12.3	26.5	1.8	0034779900	24-BV10CO-S16x2-C19
S 16 x 2.5	PN 630	9.5	11.3	26.5	1.6	0034789900	24-BV10CO-S16x2,5-C19
S 16 x 3	PN 630	8.5	10.3	26.5	1.8	0034799900	24-BV10CO-S16x3-C19
S 20 x 2	PN 420	13.5	16.3	32	3.4	0034819900	24-BV10CO-S20x2-C19
S 20 x 2.5	PN 420	13.5	15.3	32	3.3	0034829900	24-BV10CO-S20x2,5-C19
S 20 x 3	PN 420	12.5	14.3	32	3.5	0034839900	24-BV10CO-S20x3-C19
S 20 x 3.5	PN 420	11	13.3	32	3.1	0034849900	24-BV10CO-S20x3,5-C19
S 20 x 4	PN 420	10	12.3	32	3.1	0040049900	24-BV10CO-S20x4-C19
S 25 x 2.5	PN 420	18	20.3	34.5	5.9	0034869900	24-BV10CO-S25x2,5-C19
S 25 x 3	PN 420	17	19.3	34.5	6.1	0034879900	24-BV10CO-S25x3-C19
S 25 x 4	PN 420	15	17.3	34.5	6.5	0034889900	24-BV10CO-S25x4-C19
S 30 x 3	PN 420	22	24.3	34.5	6.8	0034929900	24-BV10CO-S30x3-C19
S 30 x 4	PN 420	20	22.3	34.5	7.4	0034939900	24-BV10CO-S30x4-C19
S 30 x 5	PN 420	17	20.3	34.5	8.5	0034949900	24-BV10CO-S30x5-C19
S 38 x 3	PN 420	30	32.3	38	8.9	0034969900	24-BV10CO-S38x3-C19
S 38 x 4	PN 420	27	30.3	38	12.8	0034979900	24-BV10CO-S38x4-C19
S 38 x 5	PN 420	26	28.3	38	12.0	0034989900	24-BV10CO-S38x5-C19
S 38 x 6	PN 420	23	26.3	38	11.8	0034999900	24-BV10CO-S38x6-C19