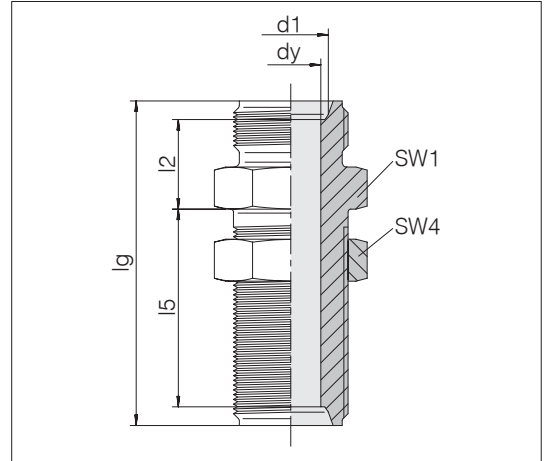


## Bulkhead unions

For insertion of the tubes into a partition wall

Tube coupling: VOSS Lok<sup>40</sup>



Tube OD d1	$d_y$	$l_g$	$l_2$	$l_5$	SW1	SW4	kg/100 ca.	Order-No.	Designation
6	4.5	48.5	13.9	29.4	16	16	3.5	7005822000	40-BHSLN-6-SST
8	6.5	48.4	13.8	29.2	17	17	3.8	7005822100	40-BHSLN-8-SST
10	8	49	13.5	29.5	22	22	6.6	7005822200	40-BHSLN-10-SST
12	10	49.9	13.9	29.8	24	24	8.6	7005822300	40-BHSLN-12-SST
14	11.5	51.9	14.8	30.7	27	27	12.3	7005822400	40-BHSLN-14-SST
15	12	51.9	14.7	30.6	27	27	11.9	7005822500	40-BHSLN-15-SST
16	13	51.9	14.5	30.4	27	27	11.0	7005822600	40-BHSLN-16-SST
18	15	54.9	15.9	31.8	30	30	14.9	7005822700	40-BHSLN-18-SST
20	16	54.9	15.8	31.7	36	36	21.9	7005822800	40-BHSLN-20-SST
22	18	54.9	15.5	31.4	36	36	19.3	7005822900	40-BHSLN-22-SST